

# Party Tent Mega 6M Terz



## Clear-span width

600 cm

## Side height

229 cm

## Ridge height

338 cm

## Highest point

488 cm

## Roof pitch

20°

## Bay distance

300 cm

## Gable uprights

1 gable upright (per end)

## Longest component

350 cm

## Minimum tent length

As shown

## Maximum tent length

No limit

## Main profile

81 mm x 48 mm x 3 mm (optional 94 mm x 48 mm x 3 mm)

## Eave / corner connection

Internal eave insert

## Max. allowed wind speed to DIN

80 km/h

## Wind Load

0.3 kN/m<sup>2</sup>

## Extension / lean-to options

1/2 hexagonal at gable end

With Mega tents 6m and 8m

Extension

## Flooring options

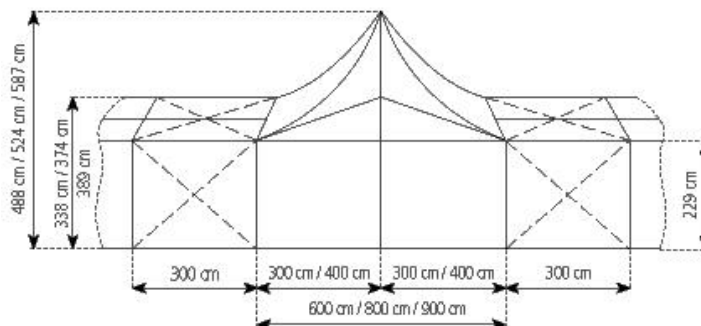
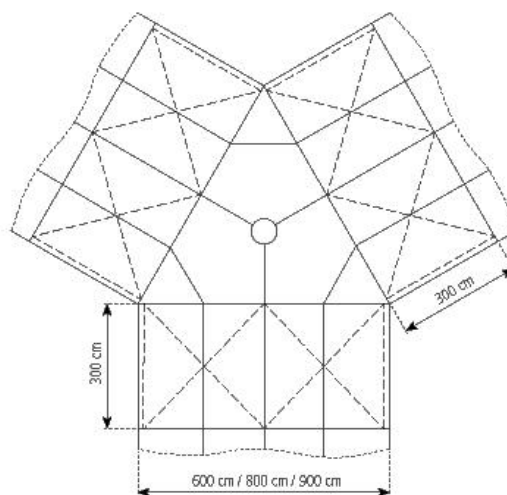
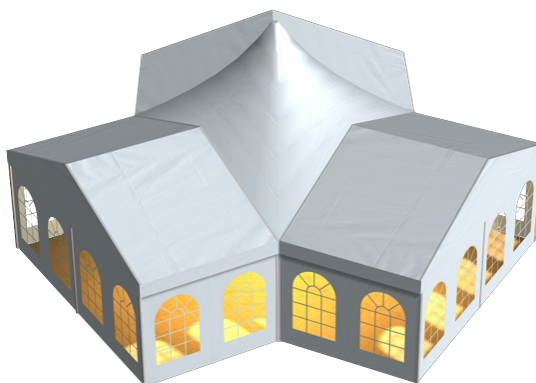
Aluminium cassettefloor with plywood or full aluminiumboards

## Cover

RÖDER No. 1: PVC-coated polyester textile, flame retardant to DIN 4102 B1, M2

## Note

All Mega variations fit 6m, 8m and 9m standard party tents



27.09.2011, [www.r-zs.de/en/tents/pdf/17](http://www.r-zs.de/en/tents/pdf/17)

RÖDER Zelt- und Veranstaltungsservice GmbH  
63654 Büdingen  
Fon: +49 06049 700-0  
Fax: +49 06049 700-339  
An den Ellern  
HRB 3261, Friedberg  
Fon: +49 06049 700-309  
UST-IdNr.: DE 112607812

Geschäftsführer:  
Rüdiger Blasius  
Jens Brüggemann  
Thomas Roman  
St.-Nr.: 020 225 62014

Bank:  
WGZ Bank eG  
KBC Bank DTLD AG  
Fortis Bank  
Duns-Nr.: 32-239-9494

IBAN BLZ Konto  
DE73 400 600 00 0000 772 633  
DE86 500 203 00 0000 295 086  
DE15 370 106 00 1102 421 161  
info@r-zs.com

SWIFT/BIC  
GENO DE MS  
BANV DE HB 500  
GEBADE 33  
www.r-zs.com