

# Party Tent Bodega® SP 4M/5M



**Clear-span width**

400-500 cm

**Side height**

229 cm

**Ridge height**

306 cm

**Roof pitch**

25°

**Bay distance**

300 cm

**Longest component**

479 cm

**Minimum tent length**

600 cm

**Maximum tent length**

No limit

**Main profile**

81 mm x 48 mm x 3 mm (optional 94 mm x 48 mm x 3 mm )

**Eave / corner connection**

Internal eave insert

**Max. allowed wind speed to DIN**

80 km/h

**Wind Load**

0.3 kN/m<sup>2</sup>

**Flooring options**

Woodenfloor with timber or steel

sub-construction

Aluminium cassetefloor with plywood or full

aluminiumboards

Compactfloor

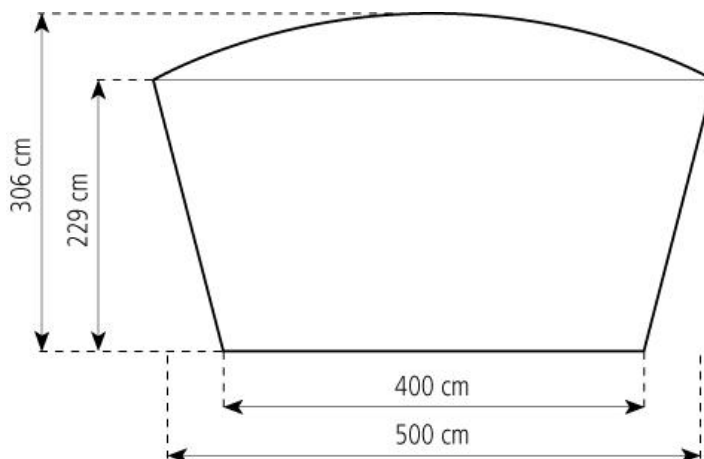
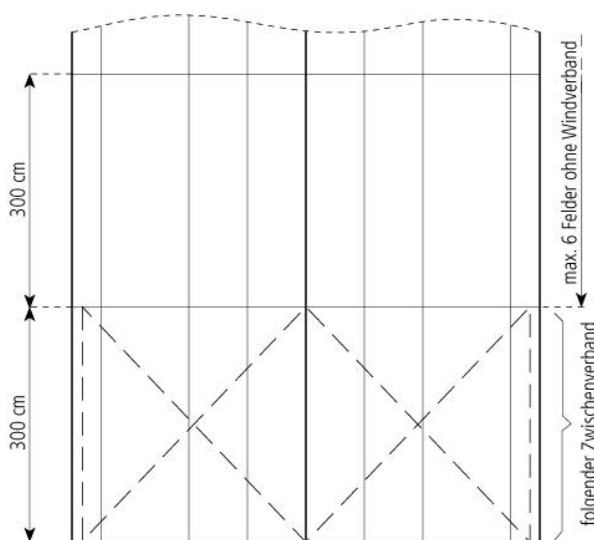
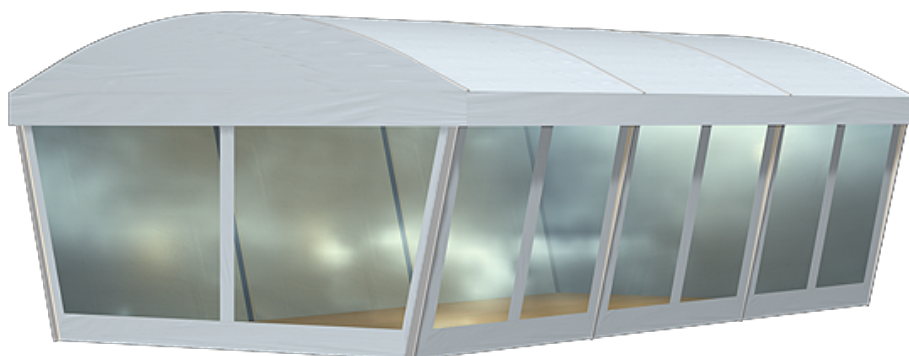
**Cover**

RÖDER No. 1: PVC-coated polyester textile, flame retardant to DIN 4102 B1, M2

**Special design**

By using compactfloor or woodenfloor with steel sub-construction and weights anchoring can be omitted

Portal beams can be used in place of cross struts



27.09.2011, [www.r-zs.de/en/tents/pdf/210](http://www.r-zs.de/en/tents/pdf/210)

RÖDER Zelt- und Veranstaltungsservice GmbH  
 63654 Büdingen Fon: +49 06049 700-0  
 Verkauf: Am Lautenstein Fax: +49 06049 700-339  
 Vermietung: An den Ellern Fon: +49 06049 700-309  
 HRB 3261, Friedberg UST.-IdNr.: DE 112607812

Geschäftsführer:  
 Rüdiger Blasius  
 Jens Brüggemann  
 Thomas Roman  
 St.-Nr.: 020 225 62014

Bank:  
 WGZ Bank eG  
 KBC Bank DTLD AG  
 Fortis Bank  
 Duns-Nr.: 32-239-9494

IBAN	BLZ	Konto
DE73	400 600 00	0000 772 633
DE86	500 203 00	0000 295 086
DE15	370 106 00	1102 421 161

info@r-zs.com

SWIFT/BIC  
 GENO DE MS  
 BANV DE HB 500  
 GEBADE 33  
[www.r-zs.com](http://www.r-zs.com)