

**Clear-span width**

300 cm

**side height**

229 cm

**ridge height**

275 cm

**Roof pitch**

25°

**Bay distance**

300 cm

**Longest component**

330 cm

**Minimum tent length**

600 cm

**Maximum tent length**

No limit

**Main profile**

81 x 48 x 3mm

**Eave / corner connection**

Internal eave insert

**Max. allowed wind speed to DIN**

50 mph windloading

0.3 kN/m<sup>2</sup>

**Extension / lean-to options**

none

**Flooring options**

Woodenfloor with timber or steel

sub-construction

Aluminium cassetefloor with plywood or full

aluminiumboards

Compactfloor

**Cover**

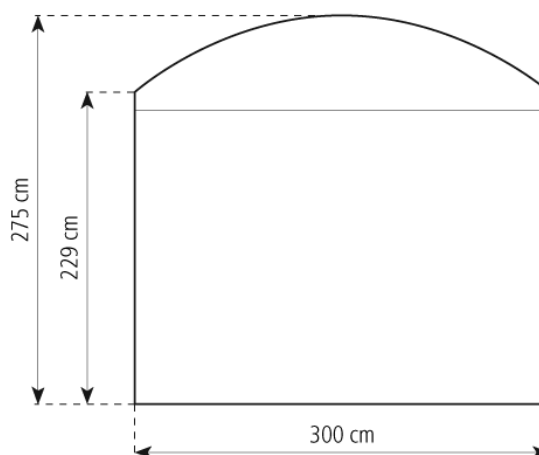
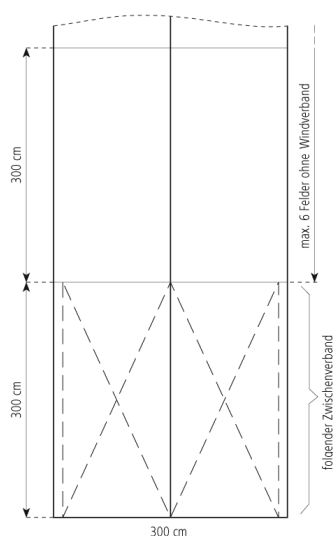
RÖDER No. 1: PVC-coated polyester textile,

flame retardant to DIN 4102 B1, M2

**Special design**

By using compactfloor or woodenfloor with steel sub-construction and weights anchoring can be omitted

Portal beams can be used in place of cross struts



23.09.2008, [www.r-zs.de/en/169](http://www.r-zs.de/en/169)

RÖDER Zelt- und Veranstaltungsservice GmbH  
63654 Büdingen Fon: +49 06049 700-0  
Verkauf: Am Lautenstein Fax: +49 06049 700-339  
Vermietung: An den Ellern Fon: +49 06049 700-309  
HRB 3261, Friedberg UST.-IdNr.: DE 112607812

Geschäftsführer:  
Rüdiger Blasius  
Jens Brüggemann  
St.-Nr.: 20 242 70249

Bank:  
WGZ Bank eG  
KBC Bank DTLD AG  
Fortis Bank  
Duns-Nr.: 32-239-9494

IBAN BLZ Konto  
DE73 400 600 00 0000 772 633  
DE86 500 203 00 0000 295 086  
DE15 370 106 00 1102 421 161  
info@r-zs.com

SWIFT/BIC  
GENO DE MS  
BANV DE HB 500  
GEBADE 33  
www.r-zs.com